

MAC972

HIGH PERFORMANCE AC GOLF CAR
MOTOR WITH BRAKE (10-000972)

NAVITAS
VEHICLE SYSTEMS



MOTOR FEATURES:

- High Quality AC Induction Motor
- External Speed Sensor
- Internal Temperature Sensor
- Steel And Aluminum Construction
- High Torque with High Speed

APPLICATIONS:

- Golf Car
- Utility Vehicle
- Personnel Carriers
- UTV
- Hunting buggies

MOTOR DATA:

Type of Motor	AC Induction
Rated Power	5 KW
Rated Voltage	34 V (AC) RMS
Rated Current	113A
Rated Speed	2785 RPM
Frequency	0-200 Hz

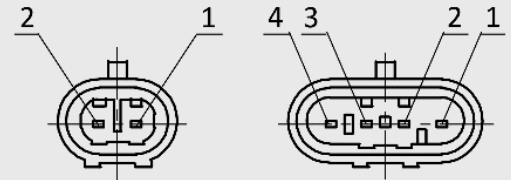
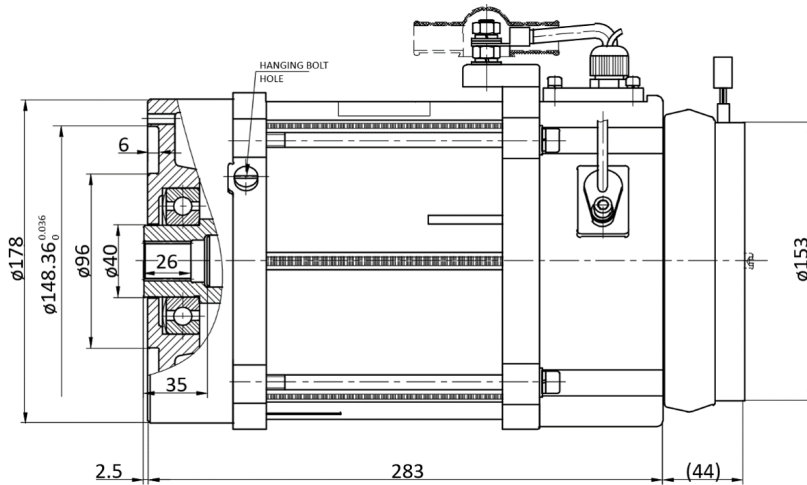
RPM	0~5875 RPM
Splines	19
Insulation Class	H
Protection Mode	IP44
Brake Voltage	48V \pm 10%
Static Torque	46 Nm

MAC972

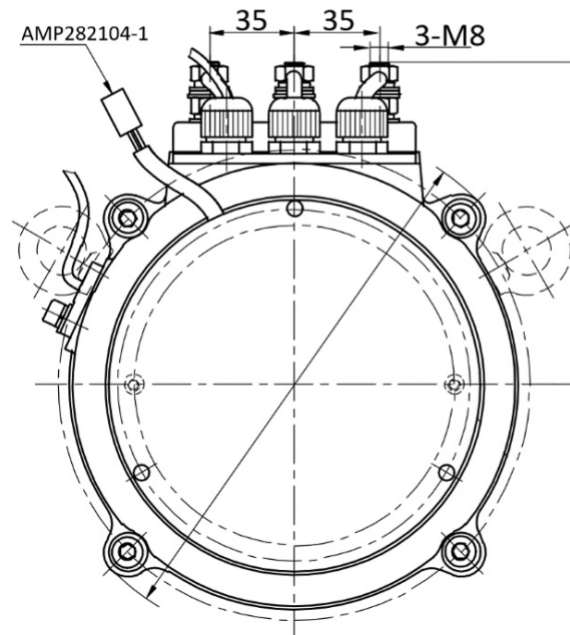
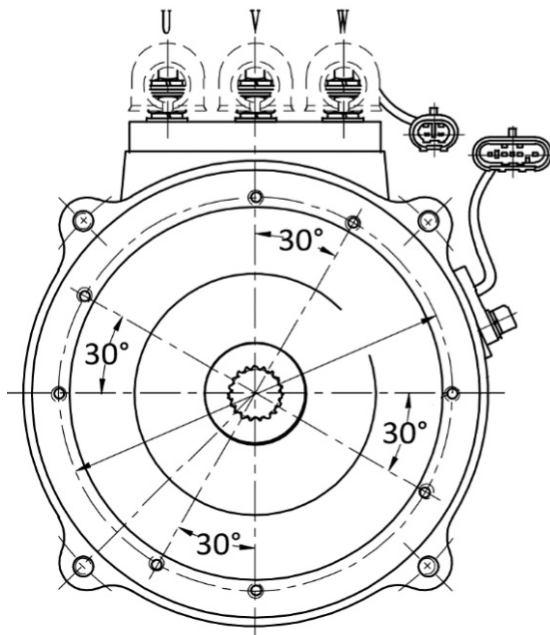
HIGH PERFORMANCE AC GOLF CAR
MOTOR WITH BRAKE (10-000972)

NAVITAS
VEHICLE SYSTEMS

10-000972 5KW AC MOTOR WITH BRAKE



- 1 + (RED) ——— TEMPERATURE SENSOR
- 2 - (BLACK) ———
- 1 + (RED/YELLOW) ——— ENCODER
- 2 B Output (BLUE) ———
- 3 A Output (WHITE) ———
- 4 - (BLACK) ———



NOTE: Specifications subject to change without notice