

MAC987

HIGH PERFORMANCE AC GOLF CAR
MOTOR WITH BRAKE (10-000987)

NAVITAS
VEHICLE SYSTEMS



MOTOR FEATURES:

- High Quality AC Induction Motor
- External Speed Sensor
- Internal Temperature Sensor
- Steel And Aluminum Construction
- High Torque with High Speed

APPLICATIONS:

- Golf Car
- Utility Vehicle
- Personnel Carriers
- UTV
- Hunting buggies

MOTOR DATA:

Type of Motor	AC Induction
Rated Power	3 KW
Rated Voltage	25.5 V (AC) RMS
Rated Current	97A
Rated Speed	3921 RPM
Frequency	0-134 Hz

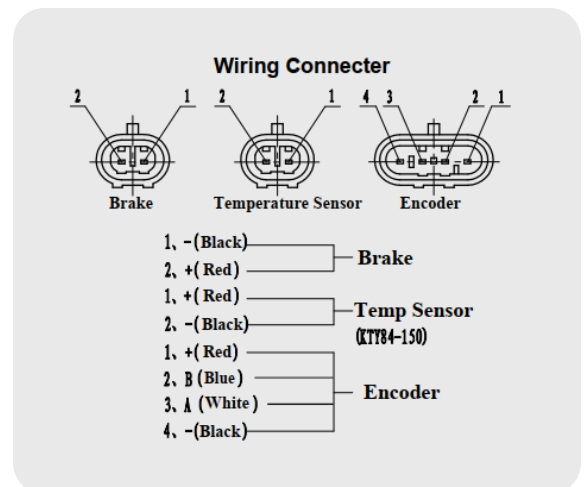
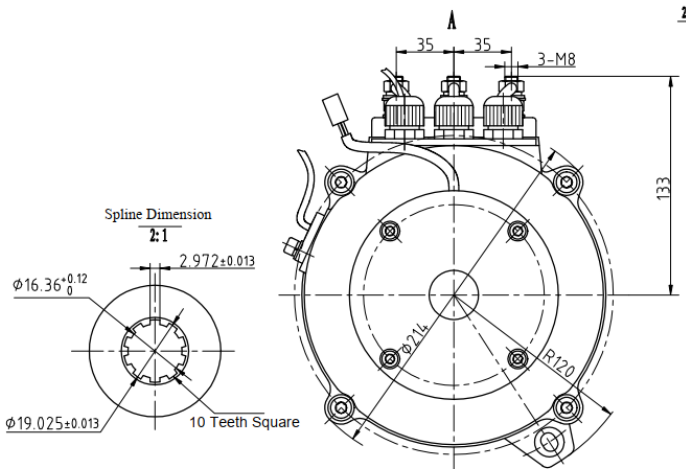
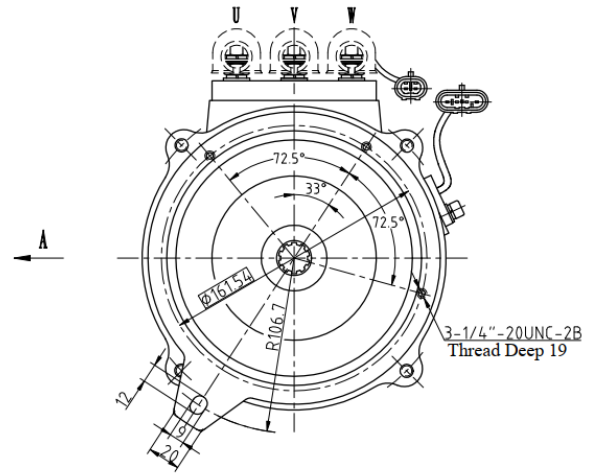
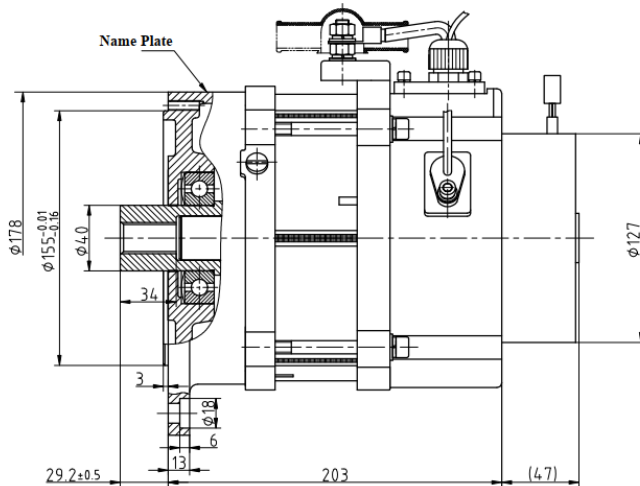
RPM	0~6800 RPM
Splines	10
Insulation Class	H
Protection Mode	IP44
Brake Voltage	48V ±10%
Static Torque	46 Nm

MAC987

HIGH PERFORMANCE AC GOLF CAR
MOTOR WITH BRAKE (10-000987)

NAVITAS
VEHICLE SYSTEMS

10-000987 3KW AC MOTOR WITH BRAKE



NOTE: Specifications subject to change without notice