

# MAC977

HIGH PERFORMANCE AC GOLF CAR  
MOTOR WITH BRAKE (10-000977)

NAVITAS  
VEHICLE SYSTEMS



## MOTOR FEATURES:

- High Quality AC Induction Motor
- External Speed Sensor
- Internal Temperature Sensor
- Steel And Aluminum Construction
- High Torque with High Speed

## APPLICATIONS:

- Golf Car
- Utility Vehicle
- Personnel Carriers
- UTV
- Hunting buggies

## MOTOR DATA:

Type of Motor	AC Induction
Rated Power	5 KW
Rated Voltage	34 V (AC) RMS
Rated Current	113A
Rated Speed	2785 RPM
Frequency	0-200 Hz

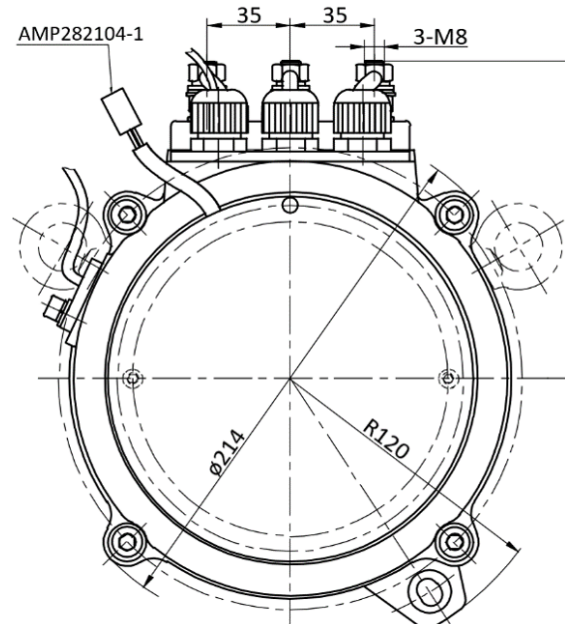
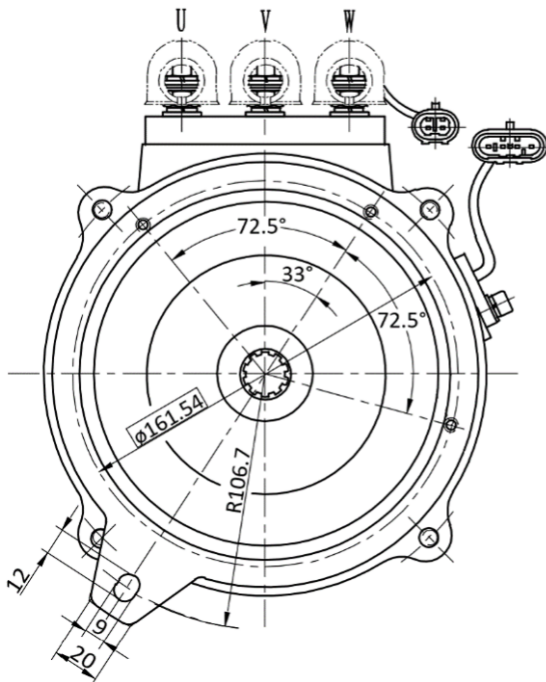
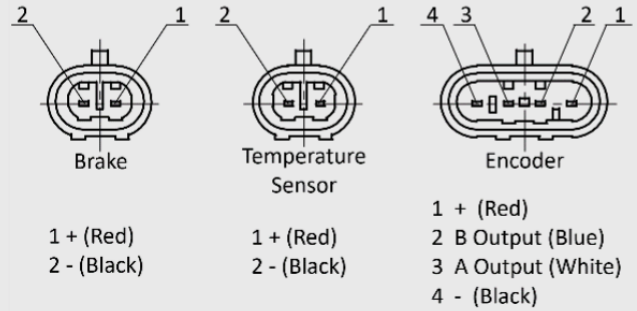
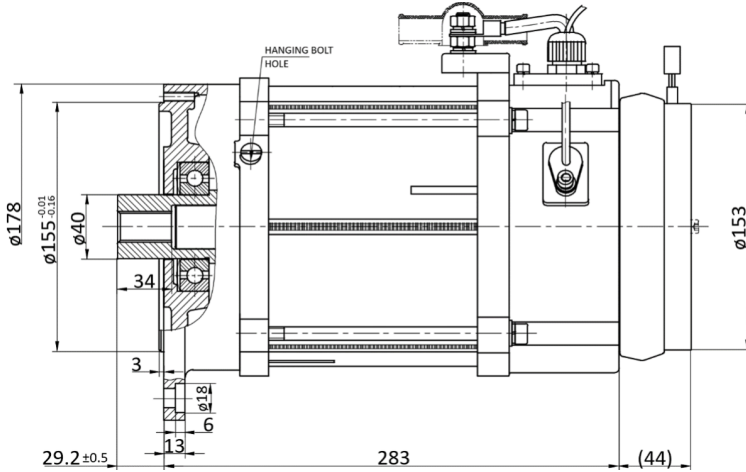
RPM	0~5875 RPM
Splines	10
Insulation Class	H
Protection Mode	IP44
Brake Voltage	48V $\pm$ 10%
Static Torque	46 Nm

# MAC977

HIGH PERFORMANCE AC GOLF CAR  
MOTOR WITH BRAKE (10-000977)

NAVITAS  
VEHICLE SYSTEMS

## 10-000977 5KW AC MOTOR WITH BRAKE



NOTE: Specifications subject to change without notice