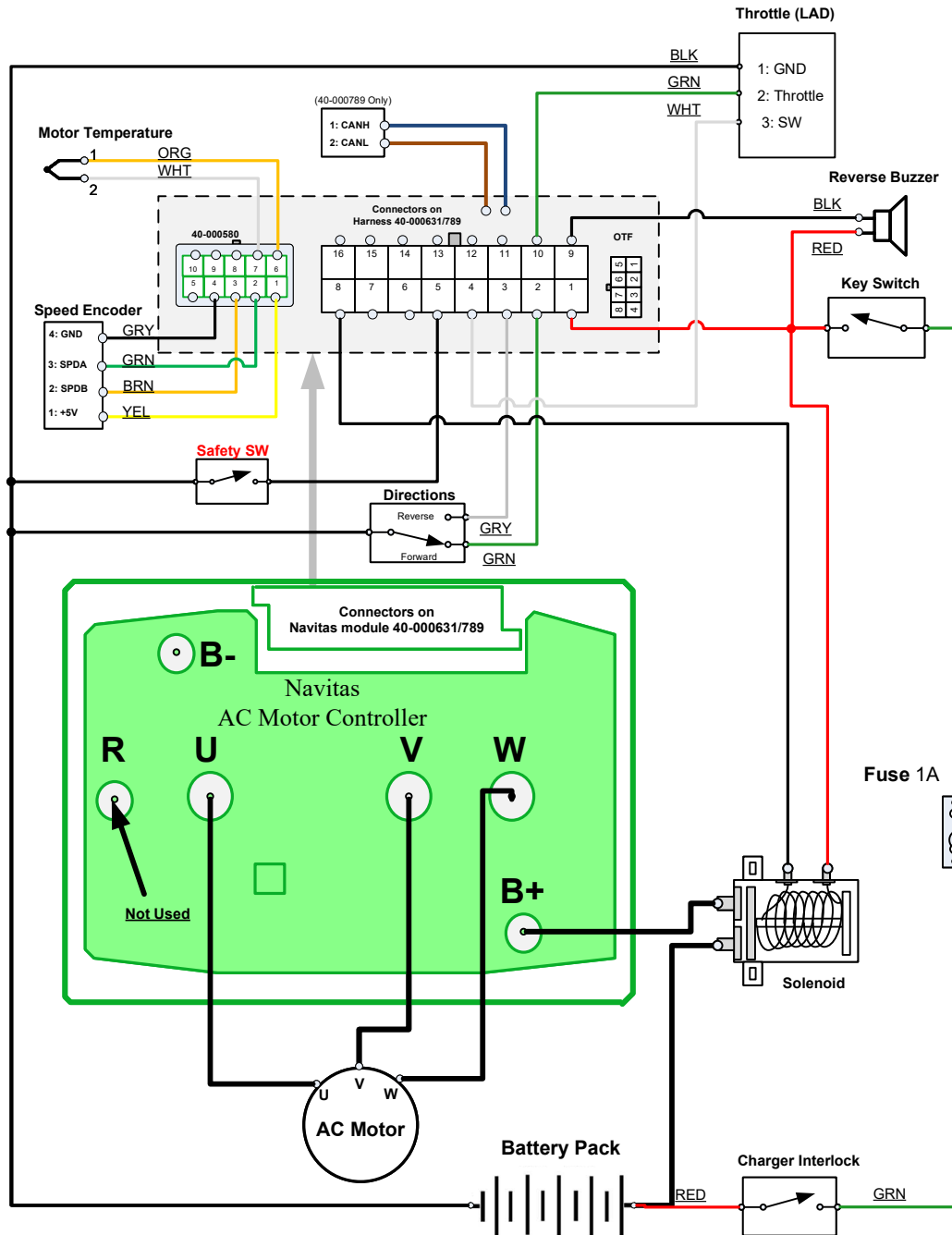


Wiring Diagram – Millipak Negative Logic

Using TAC Module Navitas PN: 40-000631/40-000789

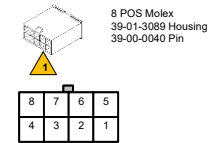


Vehicle Harness
16-POS Molex
39-28-1163

AC Motor Adapter

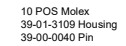
On The Fly Programmer

- | | |
|-----------------------------|----------|
| P1: Logic Power | P1: RED |
| P2: Forward | P2: GRN |
| P3: Reverse | P3: GRY |
| P4: Foot Switch | P4: BLK |
| P5: Charger Interlock Input | P5: BLK |
| P6: NA | P6: BLK |
| P7: NA | P7: BLK |
| P8: Main Solenoid Out | P8: BLK |
| P9: Reverse Buzzer | P9: BLK |
| P10: Throttle In | P10: GRN |
| P11: NA | P11: NA |
| P12: +12V | P12: RED |
| P13: NA | P13: NA |
| P14: NA | P14: NA |
| P15: NA | P15: NA |
| P16: NA | P16: NA |



- | | |
|----------------------|----------|
| P1: +12V | P5: BLK |
| P2: OTF REGEN | P6: BLK |
| P3: OTF SPEED | P7: BLK |
| P4: OTF ACCELERATION | P8: BLK |
| P5: +5V | P9: BLK |
| P6: OTF LOCK | P10: GRN |
| P7: OTF LED | P11: NA |
| P8: GND | P12: RED |

AC Motor Adapter



- | | |
|-----------------------------------|---------|
| P1: +5V PF | P1: YEL |
| P2: Encoder A In | P2: GRN |
| P3: Encoder B In | P3: BRN |
| P4: Digital GND | P4: GRY |
| P5: Encoder C In | P5: NA |
| P6: Motor Temperature In | P6: ORG |
| P7: Analog GND | P7: WHT |
| P8: NA | P8: NA |
| P9: Key In | P9: NA |
| P10: Motor Brake Solenoid Release | P10: NA |

Revision History

20260424 Original