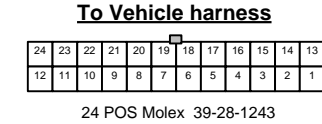
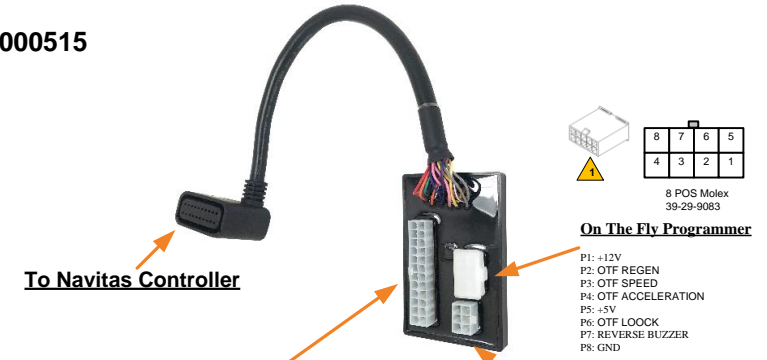
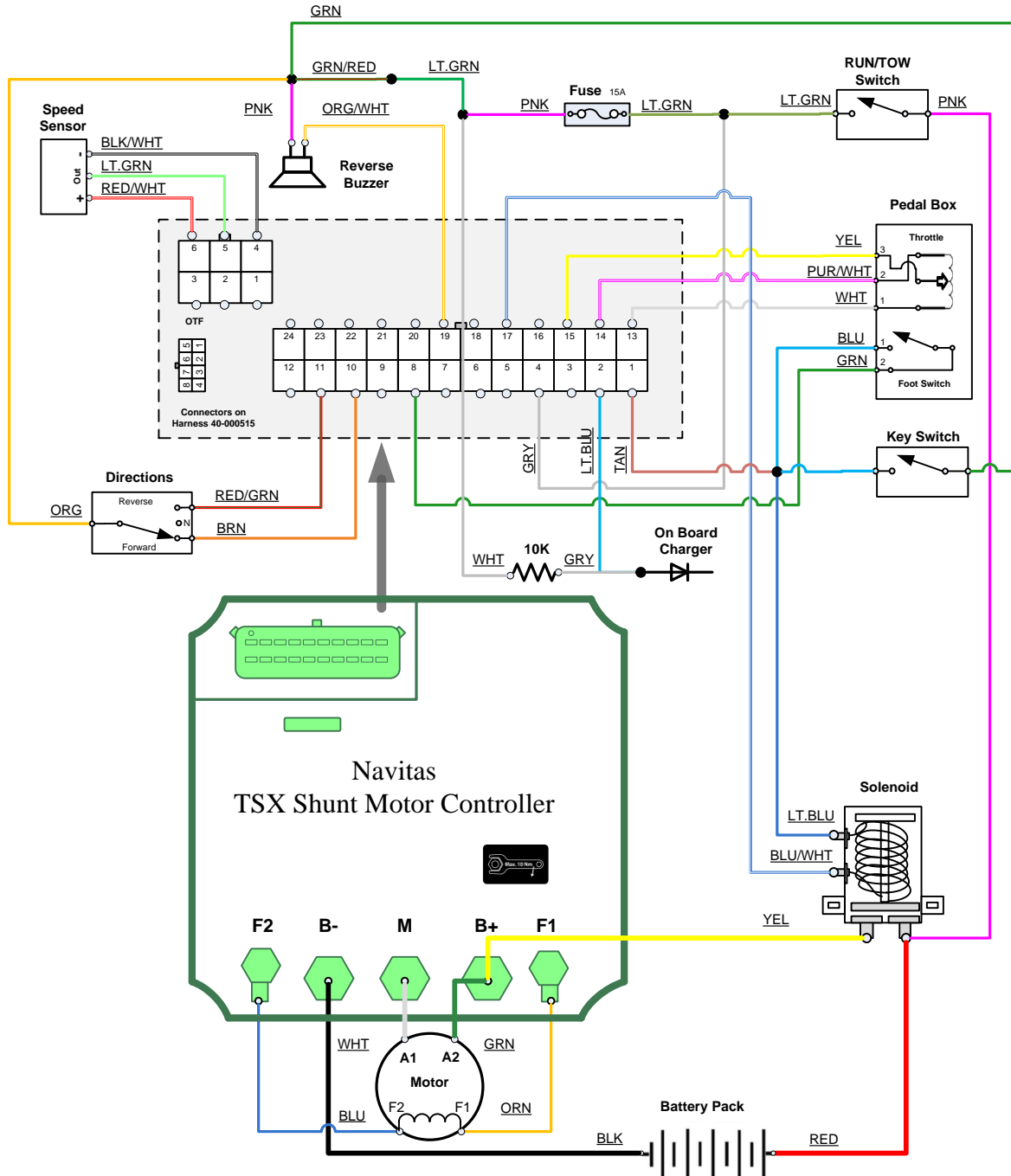
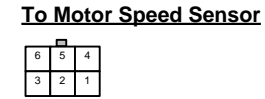


# Wiring Diagram – 1268 0-5V

Using TSX Harness Module PN: 40-000515

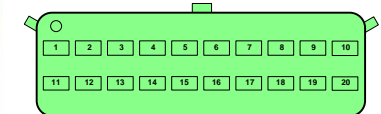


- P1: KEY IN
  - P2: CHARGER INTERLOCK
  - P3: NA
  - P4: LOGIC POWER / TOW SW
  - P5: LOGIC POWER
  - P6: LOGIC POWER
  - P7: LOGIC POWER
  - P8: FOOT SWITCH
  - P9: NA
  - P10: FORWARD IN
  - P11: REVERSE IN
  - P12: LOGIC POWER
  - P13: +5V
  - P14: GND
  - P15: THROTTLE IN
  - P16: NA
  - P17: MAIN SOLENOID
  - P18: NA
  - P19: REVERSE BUZZER
  - P20: NA
  - P21: NA
  - P22: NA
  - P23: NA
  - P24: NA
- (LOGIC POWER for Star EV)



- P1: NA
- P2: NA
- P3: NA
- P4: GND
- P5: SPEED SENSOR
- P6: +12V

### Navitas TSX DC Shunt Controller



- P1: OTF LOCK
- P2: XCAN\_N
- P3: XCAN\_P
- P4: SPEED SENSOR SIGNAL
- P5: CHARGER INTERLOCK
- P6: REV IN
- P7: FWD IN
- P8: KEY
- P9: GND
- P10: LOGIC POWER
- P11: +5V EXT
- P12: OTF ACCELERATION
- P13: OTF SPEED
- P14: OTF REGEN
- P15: THROTTLE IN
- P16: +12V POLY
- P17: FOOT SWITCH
- P18: GND POLY
- P19: REVERSE BUZZER
- P20: LINE CONTACTOR

### Revision History

20210415 Original